

**HITACHI**

# **Telescopic Crawler Crane**

## **TEST CERTIFICATES**

**17<sup>th</sup> February 2023**

- **LOLER – Report of Thorough Examination of Lifting Equipment**
- **EC Declaration of Conformity – CE Cert**
- **Wire Rope Certificate EN10204**
- **Crane Specification Sheets**

# RIVERTEK SERVICES (UK) LTD

Unit 5, Zone 3 Burntwood Business Park, Burntwood, Cannock, Staffs WS7 3FU

Tel: 01543 685 161

## REPORT OF THOROUGH EXAMINATION OF LIFTING EQUIPMENT

As required by The Lifting Operations and Lifting Equipment Regulations 1998  
Regulation 9 section 3a(ii) - Provision and Use of Work Equipment Regulations 1998

1 Owner / User: RIVERTEK SERVICES (UK) LTD		Contract No: GB3688
2 Address: Unit 5, Zone 3 Burntwood Business Park, Burntwood, Cannock, Staffs WS7 3FU		Inspection No: 70655
3 Item Description: Diesel/Hydraulic Crawler Crane Make & Model: HITACHI TX40UR-2		Serial Number: 1ME002002 Fleet Number: TX40UR-2 Year of Supply: 2005
4 Safe Working Load: <i>Subject to test certificate and mobile plant working on firm level ground</i>	Load: 2.9 tonne maximum	Fly Jib Length / Height: N/A
	Radii : 1.3 min, 8.35m max.	
5 Test Certificate Details: REPORT OF THOROUGH EXAMINATION		
6 a) Is this the first examination following installation or after assembly at a new site or in a new location ?		N/A <i>Note: if this is the first examination, then this certificate must be retained in accordance with Regulation 11 (2) of LOLER 1998 as applicable</i>
b) Were examinations in accordance with a written scheme ?		No
7 Repairs required to enable safe operation ( <i>If no repairs, enter "None"</i> )		
a) Defects found which give rise to imminent danger and require immediate attention.		a) None. (Parts not inspected - Enclosed Parts)
b) Defects found which could, in time, give rise to danger, and which require attention within a specified time period.		b) None. (Parts not inspected - Enclosed Parts)
8 Other defects and remarks.  None. (Parts not inspected - Enclosed Parts)  <i>Note: if the item is used to lift persons it requires a thorough examination at 6 monthly intervals</i>		

Date of Last Examination: N/A

Date of This Examination: 17/02/23

Date of Next Examination: 17/02/24

This is to certify that on the date of examination the item described above was thoroughly examined and unless otherwise indicated the equipment has been installed correctly and is safe to operate.

Signature:



Date: 17/02/23

Inspection Supervisor:

C. Cleary

Please see over for Notes on Requirements of Lifting Operations and Lifting Equipment Regulations 1998 and Provision and Use of Work Equipment Regulations 1998

Form L4

## EC MACHINERY DIRECTIVE

98/37/EC

### DECLARATION OF CONFORMITY

We hereby certify that the Machinery stipulated below complies with all relevant provisions of the Machinery Directive and the National Laws & Regulations adopting this Directive.

**MACHINE DESCRIPTION:** TELESCOPIC CRAWLER CRANE

**MAKE:** HITACHI **TYPE:** TX40UR-2

**CRANE SERIAL NUMBER:** 1ME002002

**NAME OF SUPPLIER :** Avondale Engineering Ltd

**ADDRESS:** Coolowen, Blarney, Co. Cork, Ireland.

Harmonized Standards applied.

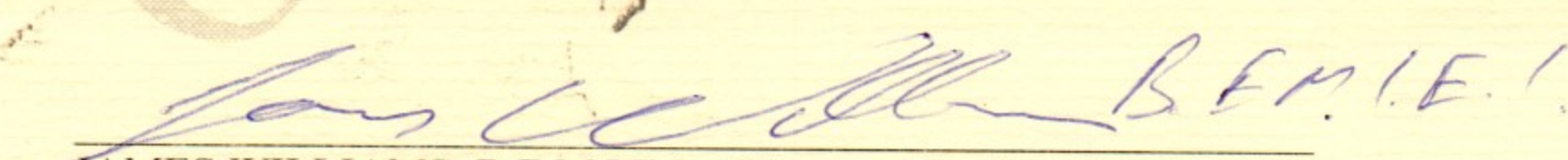
EN292 pt 1

EN292 pt 2

EN294

EN349

Signed:

  
JAMES WILLIAMS B.E.M.I.E.I. (Chartered Engineer)

Date: 1<sup>st</sup> November 2005

Position: Technical Director

(Modifications to the machine without prior approval from the above signed will render this declaration null and void).

# EC Declaration of Conformity

According to Machinery Directive 2006/42/EC in the presently valid edition



PFEIFER DRAKO Ltd.  
Marshfield Bank, Woolstarwood  
GB-Crewe, CW2 8UY

Declaration of compliance 2.1  
acc. to EN10204

## Certificate Number

255383-220

We PFEIFER DRAKO Ltd. hereby declare that the following machinery fulfils all of the relevant requirements of EC Machinery Directive 2006/42/EC. We hereby also certify that the described material has been verified and complies with the terms to the order contract.

Order no.	255383
WO no.	-
Quantity	1

Customer	RIVERTEK SERVICES LTD, Coolowen, Blarney, Cork, IE-T23 Ireland,		
Customer order number	email- Ivan		
Ident number	TX40	Demand: 1581072	

Part number	221066	Batch number	-
Description	Rope	Construction	P503
Nominal diameter [mm]	8.00	Length [m]	65,000
Surface of wire	B	Rope grade	2160
Lay	zZ	Weight [kg/m]	0,289
Min. breaking force [kN] <sup>1)</sup>	54,30	Working load limit [kN] <sup>1) 2)</sup>	10,86

Components part list / Termination <sup>3)</sup>	-
--------------------------------------------------	---

- 1) The given strength does not include rope terminations like: swagings, splices and connectors like hooks, open spelter sockets and so on.  
2) The working load limit applies to the working coefficient = 5 (safety factor), unless otherwise specified in valid standards.  
3) If not specified, ropes are supplied plain cut or fused and tapered.

Rope Category Number (RCN) according to ISO4309: 23-2

### The following harmonised standards were used:

- EN ISO 12100-1 Safety of machinery - Basic concepts, general principles for design
- EN 12385-1/ -2/ -3/ -4 Steel wire ropes - Safety
- EN 10264-1/ -2/ -4 Steel wire and wire products - Steel wire for ropes
- EN 13411 Terminations for steel wire ropes - Safety

### The following other technical standards and specifications were used:

- ISO 4309 Wire ropes - Care and maintenance, inspection and discard
- PSH TL 21-52 Standardized Wire Ropes according EN 12385-4
- PSH TL 21-54 Special Wire Ropes similar to EN 12385-4

This declaration loses its validity in case of any changes of the product not agreed upon with the manufacturer and also in case of non-attention of the security notes of the Pfeifer original operating manual "Stranded ropes for general lifting applications according to EN 12385-4", the standards EN 12385-3 „Steel wire ropes - Safety - Part 3: Information for use and maintenance" and ISO 4309 „Cranes - Wire ropes - Care, maintenance, installation, examination and discard".

Crewe, 10.12.2021

Luke Ralphs  
Authorized Person for Technical Documentation

Wayne Shaw  
Inspection Representative



TX40UR

HITACHI

# Telescopic Crawler Crane

TX40UR

APPLICATION & ATTACHMENT

4 Section Boom

2.9t Rated Lifting Capacity

Lifting Load: **2.9t** x 1.4m  
Working Radius: 0.19t x 8.35m

**2.9t**

Variety of Safety Devices

- Moment Limiter
- Height Limiter
- External Light Indicator

## Moment Limiter

State of the Art Moment Limiter fitted to this Crane to prevent tipping-over due to overload, sounds buzzer and stops crane operation automatically when reaching the limit.



Moment Limiter

## Working Range Limiter

Limits can be set on this Moment Limiter to automatically cut out the crane when limits are reached.



Over-Ride Key

Safe Load Indicator may vary per country.

# Specifications

		TX40UR City Pad
Operating weight	kg	4,000
Overall transport length	mm	3,820
Max. lifting load x working radius	t x m	2.9 x 1.4
Max. hook lift above ground level	m	9.3 (5 reeving)*
Max. hook lift below ground level	m	13.7 (5 reeving)*
Boom length	m	3.17 ~ 8.90
Boom hoist angle	degree	-1° ~ 76°
Boom hoisting speed	s	11.0 (-1° ~ 76°)
Boom extending speed	m/s	5.7 / 16.0
Hoisting rope speed	m/min	High 17.0 / Low 4*
Hoisting rope	φmm/m	φ8 x 65
Swing speed	min <sup>-1</sup> (rpm)	2.7 (2.7)
Travel speed	km/h	3.1 / 2.1
Engine Model	Model	Mitsubishi S3L2-EDL2M
Engine Rated Output	kW/min-1 (PS/rpm)	15.8 / 2,000 (2.15 / 2,000)
Ground Pressure No Load	kPa(kgf/cm <sup>2</sup> )	37.8 (385.4)
Ground Pressure Max.Load	kPa(kgf/cm <sup>2</sup> )	68.1 (694.4)

The machine shown may vary according to territory Specifications.

**Note:** \*When hook lift becomes large, the rope is likely to be easily kinked.

1. Data shown above are in SI units, followed by data in conventional units in ( ).

# Crane Ratings (4 Section)

Unit: kg

Working Radius m	3.17m Boom		5.12m Boom		7.01m Boom	8.90m Boom
	Static	Mobile	Static	Mobile	Static	Static
1.30	2,900	1,450	2,900	1,450		
1.40	2,900	1,450	2,900	1,450		
1.50	2,600	1,300	2,400	1,200		
1.60	2,250	1,250	2,100	1,050		
1.90	1,650	825	1,620	810	1,500	
2.00	1,520	760	1,500	750	1,400	
2.20	1,300	650	1,300	650	1,250	
2.50	1,000 x 2.64 m	500 x 2.64 m	1,070	535	1,030	840
3.00			870	435	880	690
4.00			600	300	520	470
4.70			510 x 4.585 m	255 x 4.585 m	420	390
5.00					390	360
6.00					255 x 6.48 m	280
7.00						235
8.00						205
8.20						200
8.35						190

### Notes :

1. The rated loads listed are based on the condition that the machine is stationed on firm, level, supporting ground. The rated loads listed are available over 360 degrees. The rated loads shown include the weight of all lifting attachments such as hook and chains/slings. The load to be actually lifted is the rated load minus the weight of all lifting attachments. The rated loads are determined according to DIN 15018 part 3 (lifting class H2, loading group B2). The stability is according to EN13000 (2004), 75% of tipping loads.

2. 2.9 Ton Hook weight is 30kgs.

3. Travelling with rated load is allowed and provided that:

- Surface must be firm and level;
- The boom is in travelling direction and upper carriage locked;
- Speed is not above 0.4 m/s (on a firm level ground);
- The load is near the ground (0.5 m) and secured against swinging;
- No other movement are allowed.

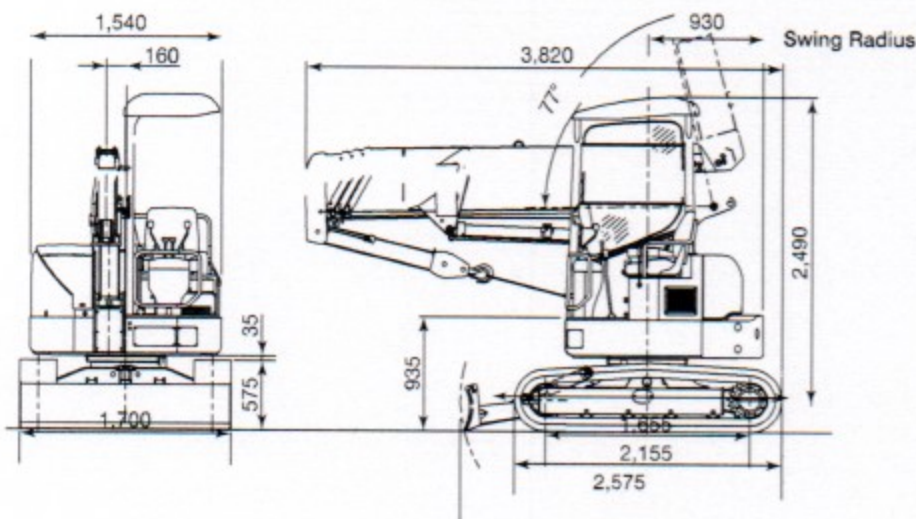
4. At windforce of 14 m/s or more the operation must be stopped. By windforce of 15 m/s or more the boom must be retracted to the minimum and lowered to the ground.

These specifications are subject to change without notice.

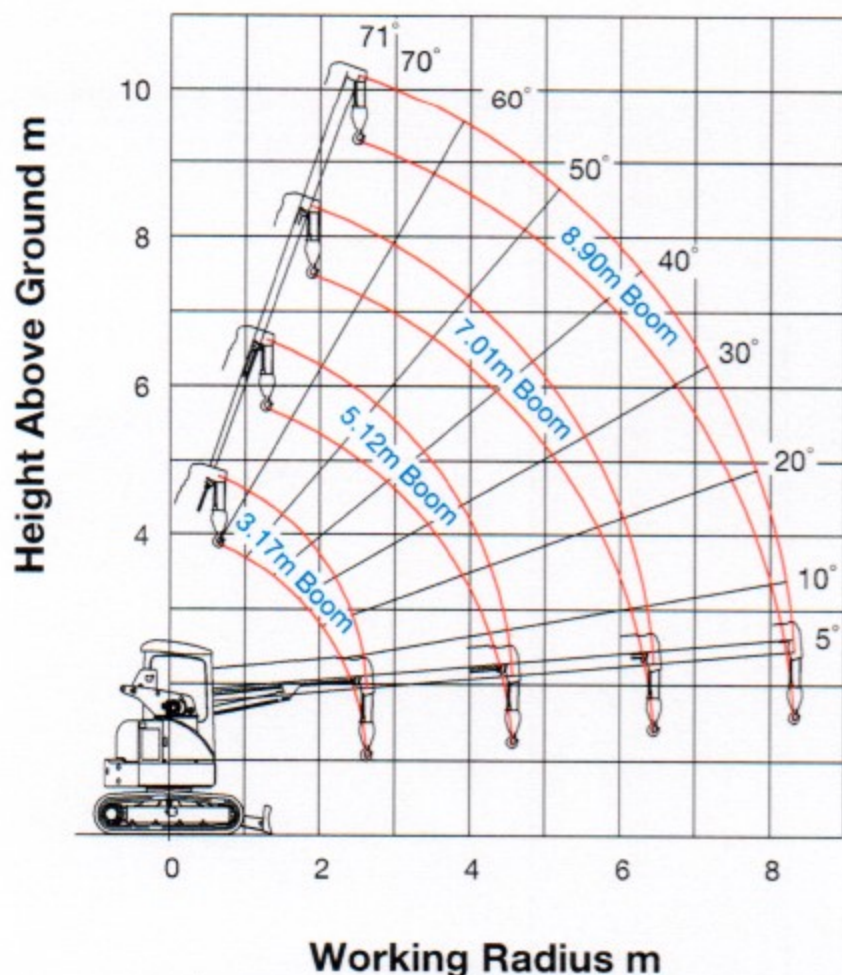
Illustrations and photos show the standard models, and may or may not include optional equipment, accessories, and all standard equipment with some differences in colour and features. Only Operate the Crane after you have read and understand the Operator's Manual and received the correct Training.

# Dimensions

Unit: mm



# Working Range Diagram



### Notes:

1. This graph shows working ranges with the load, and does not include jib deflection.

2. The crane can be operated with the load in the range of 5° to 71°.